

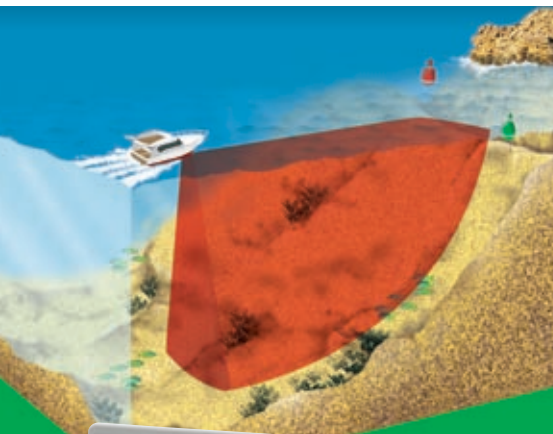


## FLS Platinum Engine 'Black Box' colour forward sonar

- Composite Video Output
- S Video Output
- Auto Gain Auto/Manual Range
- Max Range ahead 200m
- Max Range down 100m
- Digital Depth
- Speed Option
- Forward Alarm
- NMEA Input and Output
- Colour Coded Echostrength



EchoPilot FLS Platinum Engine  
'Black Box' Colour Forward Looking Sonar



EchoPilot's 'Black Box' sonar enables the modern yacht with integrated displays to add **colour forward sonar** with minimum of fuss. Any chartplotter, radar, P.C. or screen with a video input can become a fully functional colour forward sonar. (See Diagram A)

Forward Sonar enables the skipper to enter strange harbours or difficult anchorages with the extra safety of a view of the seabed and underwater obstructions ahead. Pilotage in unfamiliar or poorly charted waters, especially at night, becomes more relaxing.

EchoPilot's Forward Sonar uses an electronically controlled array to scan the seabed from straight ahead through 90° to straight down, like an underwater radar.

**Realtime Forward Sonar** is a patented EchoPilot invention. This means that with the whole screen updating continuously should the boat turn towards an obstruction or bank this will appear almost immediately on the screen. (And will disappear as quickly when the boat turns towards safer waters).

Note that a steered transmit phased array system offered by some other manufacturers may take a considerable time to update a full 90° sector.

Owners who prefer **separate displays** have the option of an EchoPilot FLS Platinum colour screen at one steering position, and then through a Platinum Interface box display, the picture on any video enabled screen at the 2nd position. (See Diagram B)

Alternatively for boats with 2 or more video enabled displays EchoPilot Video Boxes may be 'daisy-chained' to run 2 screens at different locations, each with its own keypad. (See Diagram C)

**Easy installation** involves a single, retractable transducer (normally with a bronze fitting but optionally aluminium or mild steel) and a short cable leading to a transmitter box. The close proximity of the transmitter box enhances performance and reduces noise. A simple Ethernet type cable, which may be extended from the standard 12m up to 100m, takes the display signal to a 'Video Box' with a remote keypad.

The keypad operates the sonar part of the display without the need to use the plotter or radar controls of the display.

Video output of both the **composite type** and **S-Video** are provided, along with all cables needed to attach to most video displays, marine or domestic.

Special bespoke systems with pre-wired plugs and cable lengths to customer's requirements are available – just ask us!



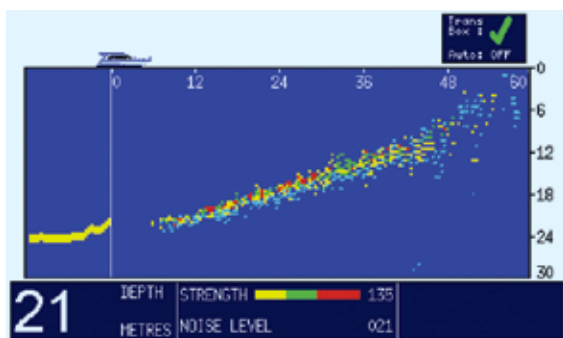
Example Screen Shots  
Raymarine and Garmin screens not included.



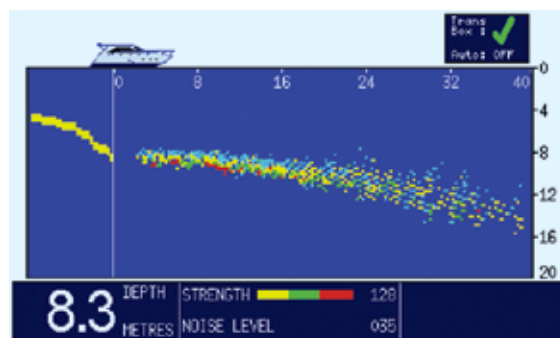


## FLS Platinum Engine 'Black Box' colour forward sonar

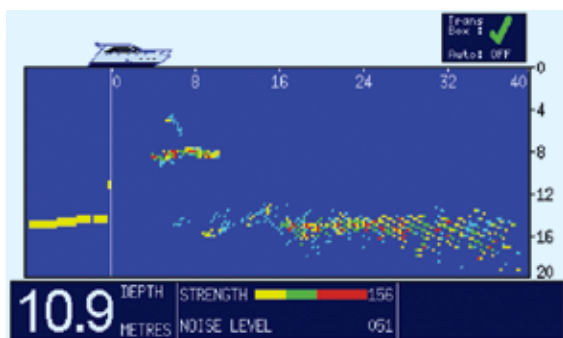
Genuine FLS Platinum screen shots taken in the UK Solent



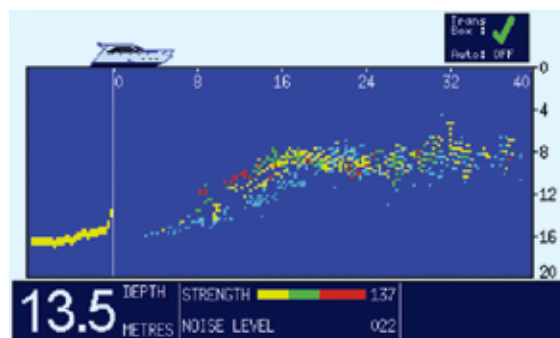
*Approaching Black Rock.*



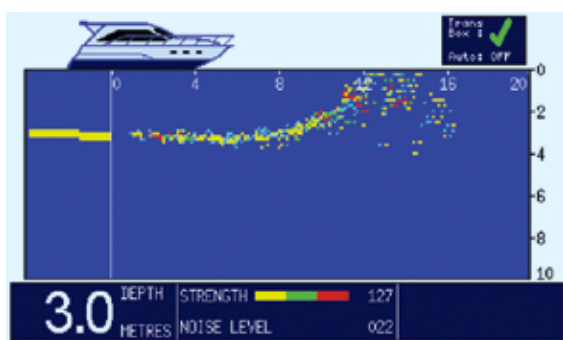
*Heading into deeper water.*



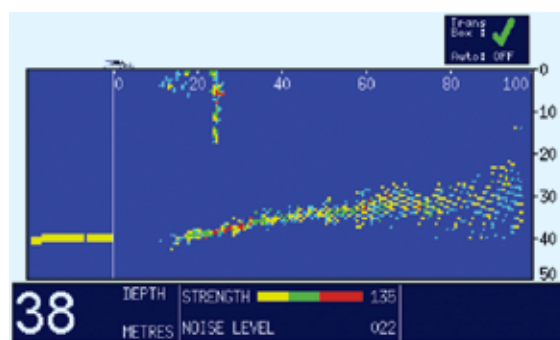
*A fishing net is picked up over a wreck*



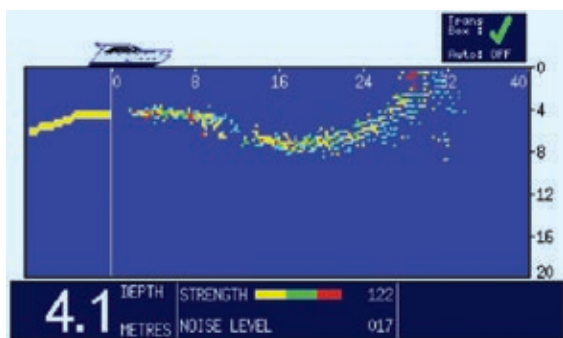
*Rocky ledge approaching.*



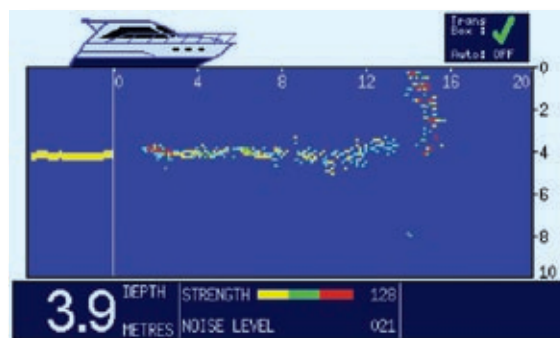
*Now creeping slowly up to a mud bank*



*Buoy chain showing at 25m. Turbulence caused by fast moving tide also shows.*



*Approaching a scoured slipway.*



*Quay wall at 15m on the short range.*

Diagram A

### FLS Platinum engine with video output

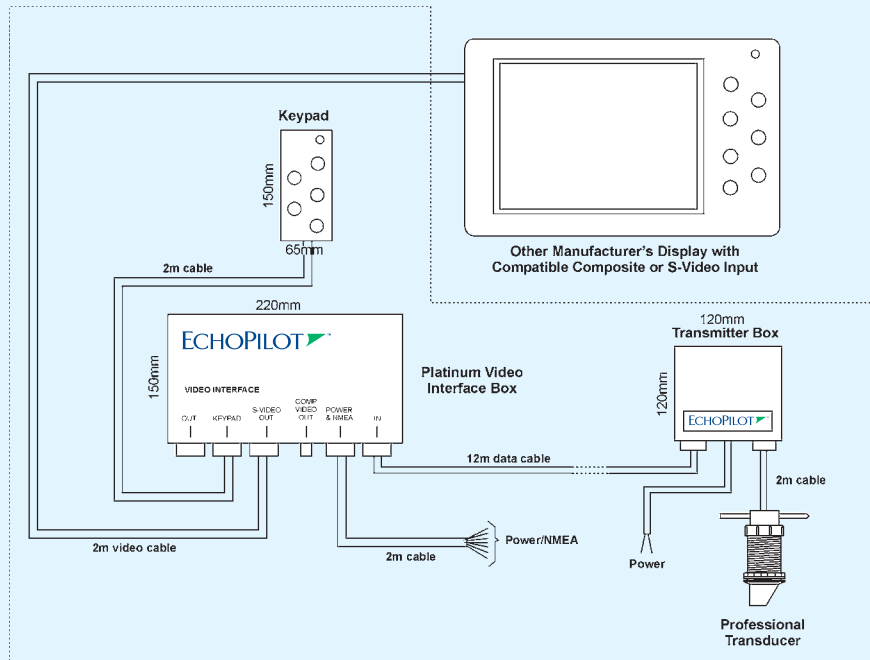


Diagram B

### To Connect FLS Platinum to other displays FLS Platinum video interface (no transducer)

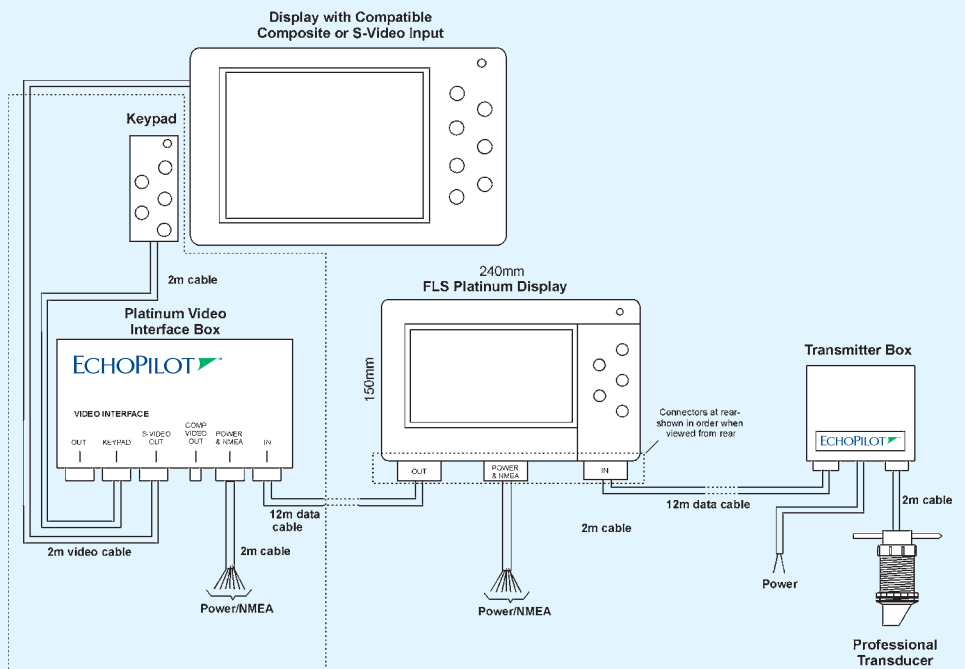
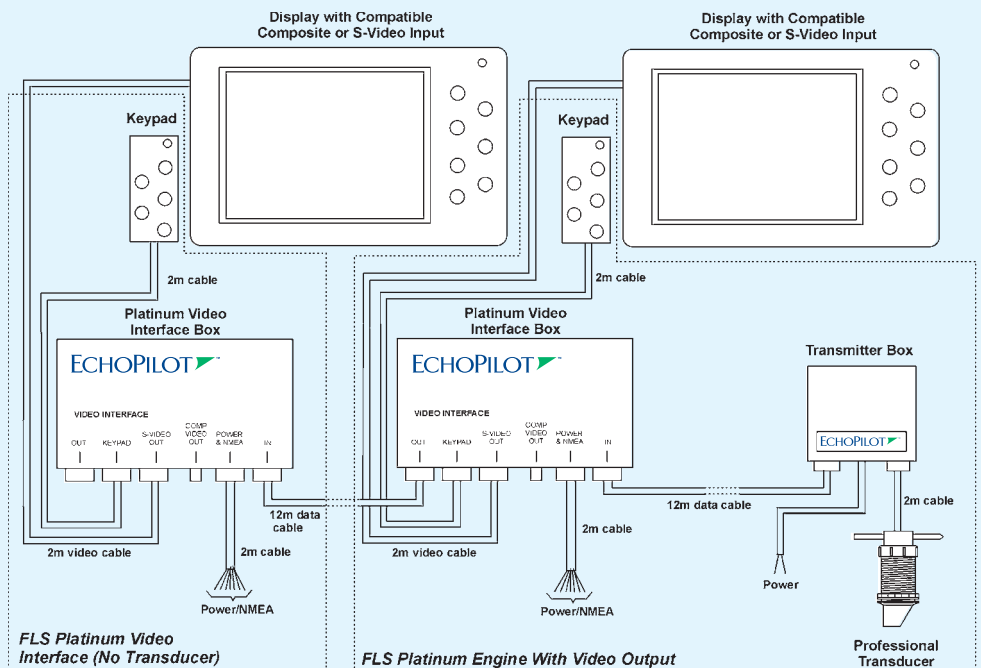


Diagram C

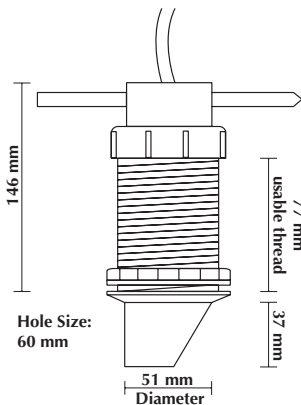
### For twin displays FLS Platinum video interface (no transducer) with FLS Platinum engine with video output





## FLS Platinum Engine 'Black Box' colour forward sonar

### Transducers



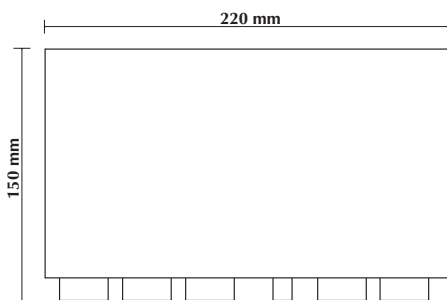
### Technical Specification

Voltage	Consumption	Frequency	NMEA in/out
12 or 24v	400ma	200 KHz	0183 (ver 2.0)

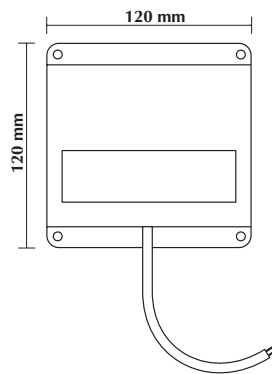
### Cable Lengths

- Transducer to transmitter box: 2m
- Key pad to video box: 2m
- Data cable (transmitter box to display and display to display): 12m  
(Longer data cables available by special order)

### Video Box



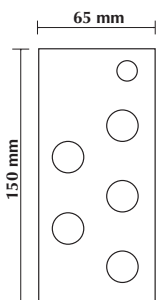
### Transmitter Box



### NMEA Accepted Input / Output Sentences

BWC	RMB
BWR	RMC
DBT	VHW
DPT	VLW
GGA	VTG
GLL	ZDA
RMA	

### Keypad



### Standard Kit

- ENGINE
- Video Box
  - Keypad
  - Power & NMEA cable
  - Data cable
  - S Video cable (mini din)
  - Composite video cable (phono)
  - Transmitter box
  - Transducer
  - Thru-hull fitting & blanking cap
  - Shipping Weight: 4.5 Kg approx
- Volume: 21x13x62cm  
= 17,000cc

- INTERFACE
- Video Box
  - Keypad
  - Power & NMEA cable
  - Data cable
  - S Video cable (mini din)
  - Composite Video cable (phono)

- Shipping Weight: 2.5Kg approx
- Volume: 21x13.31  
= 8,500cc

If you need any more help or advice please phone or E-mail our factory or one of our distributors or dealers - we are here to help you.

EchoPilot have a policy of continuous improvement and reserve the right to change specification

